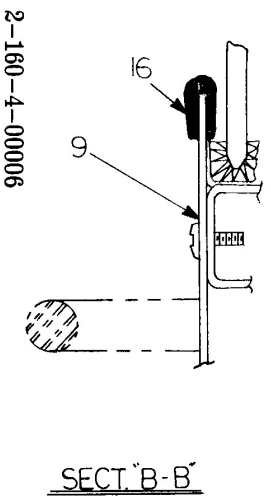
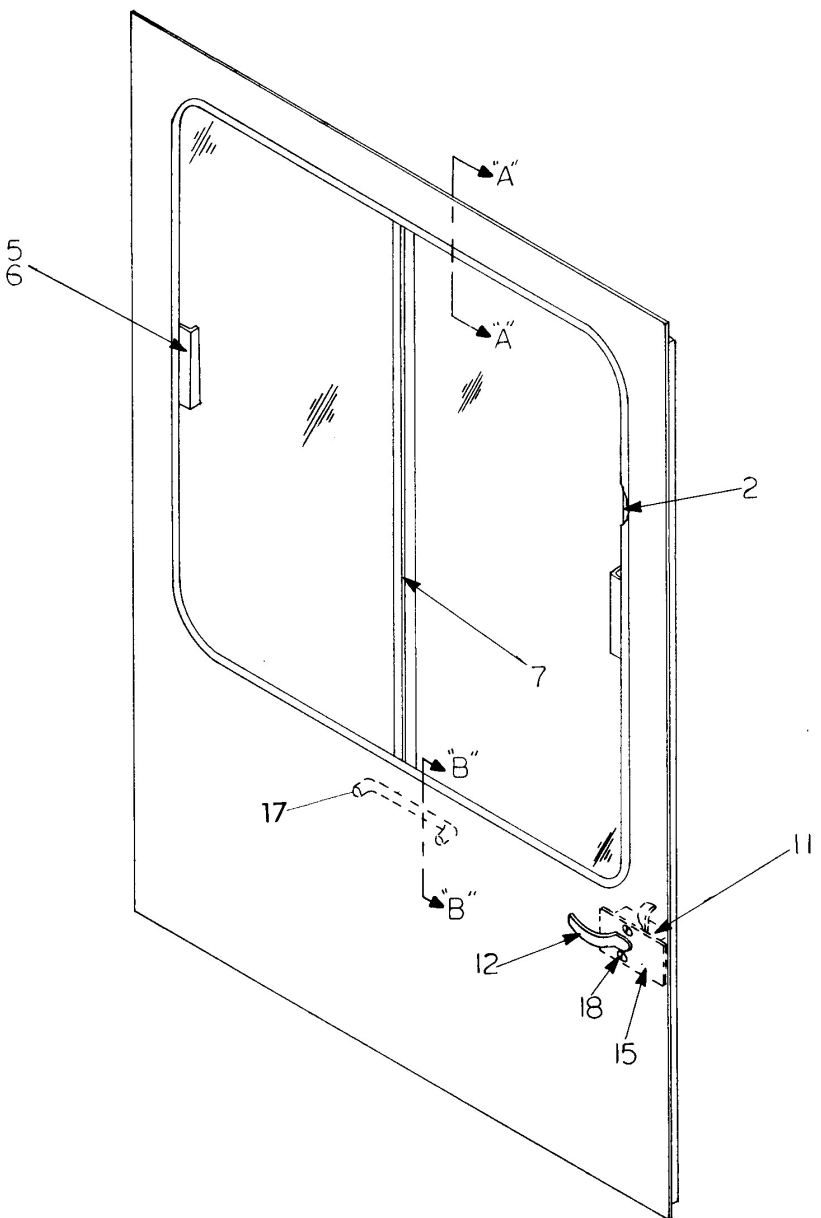
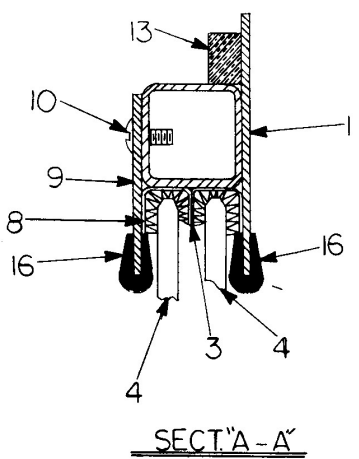


Manitowoc Crane Group



2-160-4-00006

SECT. B-B

2160400006

(SHEET 1 OF 1)

36XXe 36